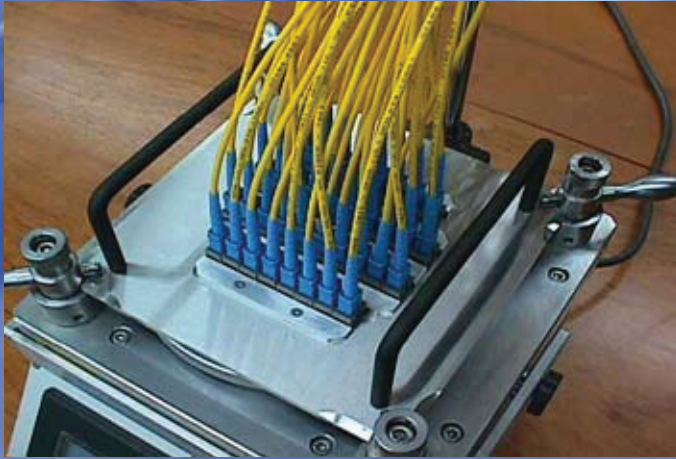




SEIKOH GIKEN



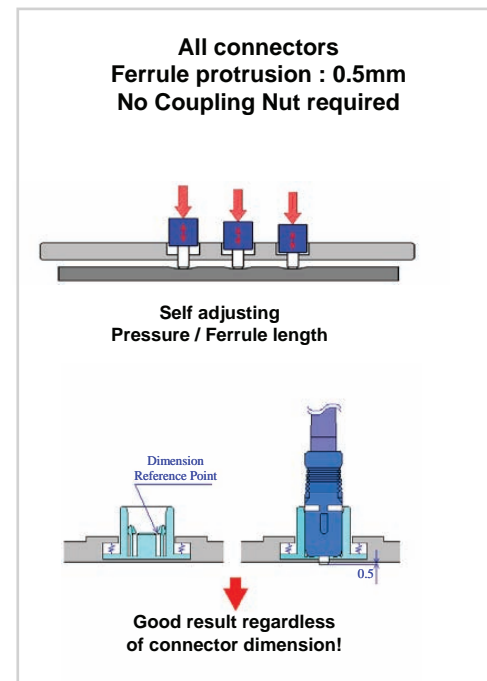
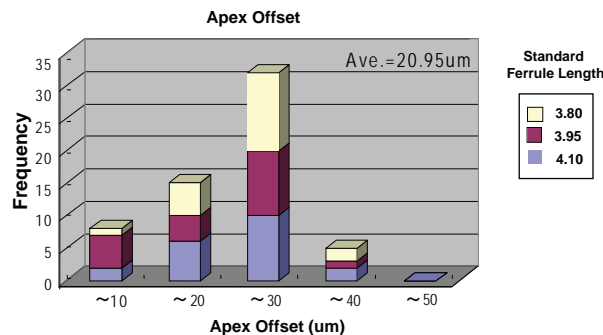
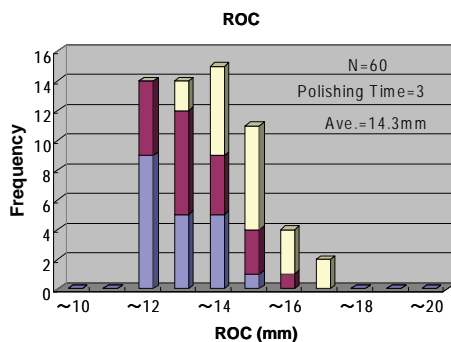
I.P.C. Polishing Holder

Seikoh Giken's patented Independent Pressure Control™ (I.P.C.) polisher fixture technology continues to set the industry standard benchmark for superior results and maximum yield for today's high-output production facilities.

■ Features

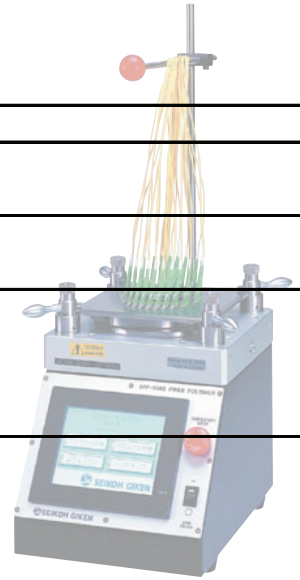
- Increased number of polishing capability with new large volume plates
- I.P.C technology allows you to polish 1pcs to 48pcs and achieve excellent polishing performance
- Snap type adaptors allow easy mount and dismount of connectors
- New position arrangement achieved 40% (max) cost reduction of man power and 25% (max) reduction of film cost
- Available for SFP-550, SFP-550E & SFP-550S

■ IPC Holder polishing result of Apex offset and ROC for various ferrule length <0.3mm



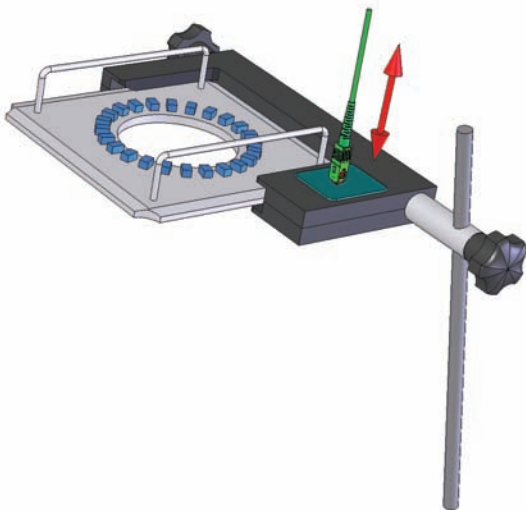
Available Fixtures

	Part Number	Description
Ferrule Holders	PH55-FLM-16 or 40N	1.25mm Ferrule/PC Stnd Flange - Flat Face - Zirconia: 16 or 40-axis
	PH55-FF-20 or 40N	2.5mm Ferrule/PC Stnd Flange - PreDome - Zirconia: 20 or 40-axis
	PH55-FF8A- **	2.5mm Ferrule/APC Step Ferrule - Flange 1.3 or 1.5mm: 18 or 40-axis
	PH55-FF8C-**	2.5mm Ferrule/APC Conical Ferrule - Flange 1.3 or 1.5mm: 18 or 40-axis
FC Holders	PH55-FP-20	FC/PC Connector Holder: 20 axis
	PH55-FP8*-18-I	FC/APC Step Ferrule Connector Holder - Wide Key (2mm) or Narrow key (2.14mm): 18-axis
	PH55-FP8*C-18-I	FC/APC Conical Ferrule Connector Holder - Wide Key (2mm) or Narrow key (2.14mm): 18-axis
SC Holders	PH55-CP-20 or 32N	SC/PC Connector Holder: 20 or 32-axis
	PH55-CP8A-18 or 32N	SC/APC Step Ferrule Connector Holder: 18 or 32-axis
	PH55-CP8C-18 or 32N	SC/APC Conical Ferrule Connector Holder: 18 or 32-axis
ST Holders	PH55-SP-20 or 28N	ST/PC Connector Holder: 20 or 28-axis
LC Holders	PH55-PL-24, 40N, or 48N	LC/PC Connector Holder (LC Secure Compatible): 24, 40 or 48-axis
	PH55-PL8A-20, 40N or 48N	LC/APC Connector Holder: 20, 40 or 48-axis
MU Holders	PH55-PM-24 or 40N	MU/PC Connector Holder: 24 or 40-axis
	PH55-PM8A-20 or 40N	MU/APC Connector Holder: 20 or 40-axis
MT Holders	PH55-HMT-12C or 24	MT Universal Outer Holder: 12 or 24-axis
	PH55-MTRJ-12B	Mini MT Inner Holder: 12-axis
	PH55-MT-12B or 24	Big MT/PC Inner Holder: 12 or 24-axis
	PH55-MT8A-12B or 24	Big MT/APC Inner Holder: 12 or 24-axis
E2000 Holders	PH55-EF-18-H or 24-H	E2000 Ferrule/PC Huber Suhner: 18 or 24-axis
	PH55-EF-18-R or 24-R	E2000 Ferrule/PC Reichle & De-Massari: 18 or 24-axis
	PH55-EF8A-18-H, 24-H or 40-H	E2000 Ferrule/APC Huber Suhner: 18, 24 or 40-axis
	PH55-EF8A-18-R, 24-R or 40-R	E2000 Ferrule/APC Reichle & De-Massari: 18, 24 or 40-axis



** Contact Sales for custom fixtures. Including but not limited to: OptiTap Holders, POF Holders, Mil-Aero Termini Holders **

New Fixture Holder P/N: FP-PH55



- ◆ Provides stable platform for loading and unloading fixtures
- ◆ Rotates at an angle for easy access and cleaning of ferrule
- ◆ Ideal for staging fixtures between processes
- ◆ Easily attaches to existing cable holder
- ◆ Easy loading and unloading

Other Production tools
from Seikoh Giken:

Polishing Machines
Polishing Films, Pads, and Slurries
Connectors/ Adaptors
Ferrules
Master Reference Jumpers

WORLDWIDE SUBSIDIARIES AND SALES OFFICES:

USA

SEIKOH GIKEN USA, Inc.
Atlanta, Georgia
Tel: +1-770-279-6602
Fax: +1-770-279-8839
sales@sg-usa.com

Europe

SEIKOH GIKEN Europe GmbH
Frankfurt, Germany
Tel: +49-6102-297-701
Fax: +49-6102-297-750
info@sg-euro.de

Asia

SEIKOH GIKEN Co., Ltd.
Chiba, Japan
Tel: +81-47-388-6111
Fax: +81-47-388-4477
sales.div@seikoh-giken.co.jp